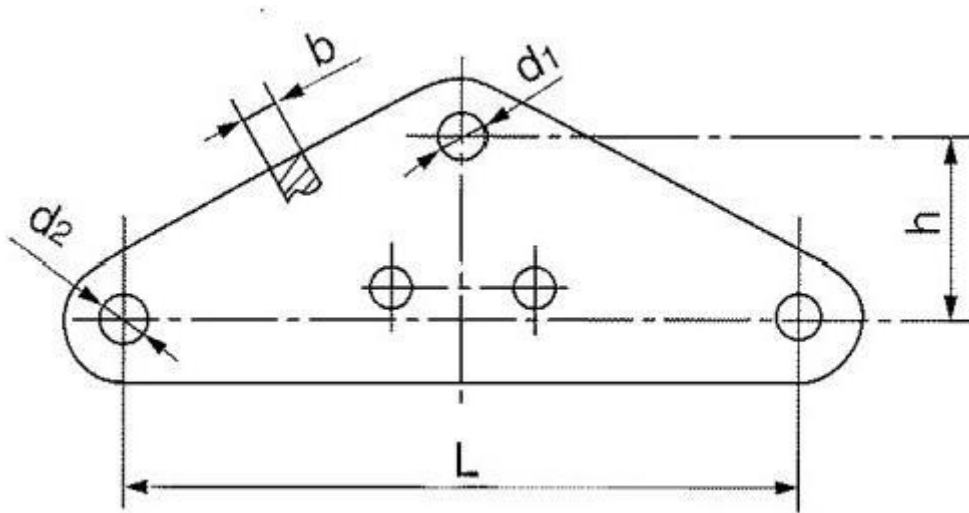


Overview

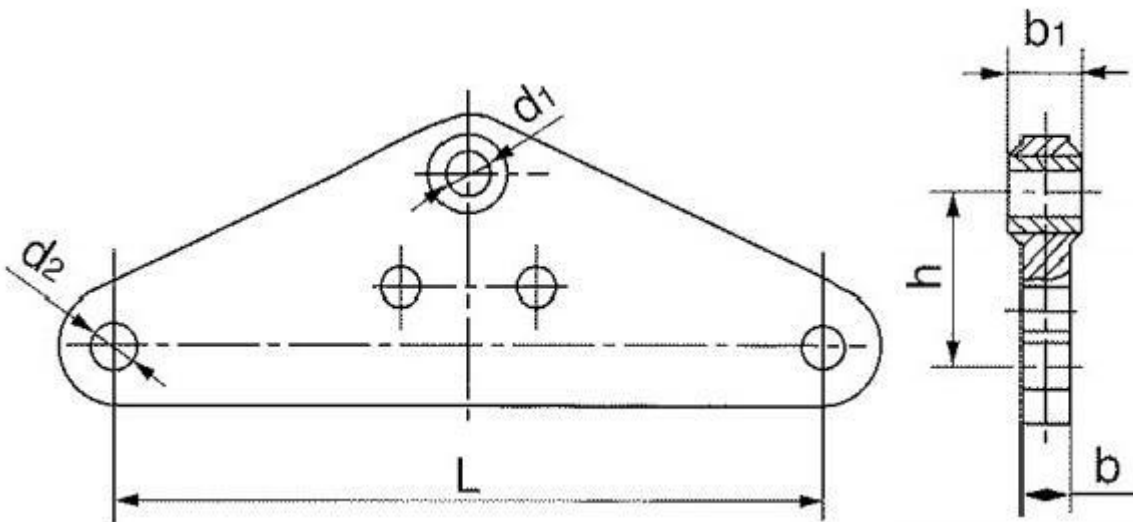
Yoke plate is made up of stainless steel & hot-dip galvanized steel, mainly suitable for connection of several insulator strings or force-bearing assembly of several insulator strings as a whole plate-shaped connecting fitting. The yoke plate is extensively used for overhead transmission line.

Yoke Plates (Type L)

Hot-dip galvanized steel.

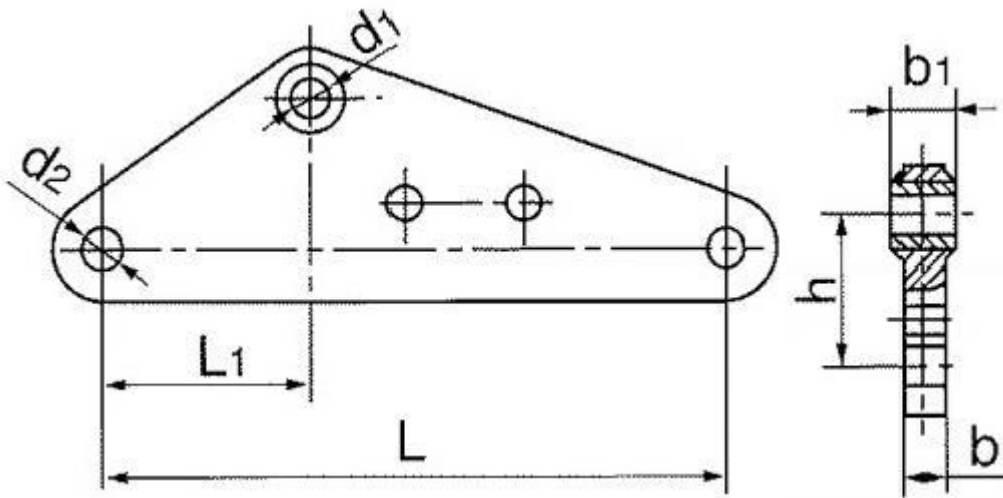


Catalog No.	Dimensions(mm)					Rated Failure Load(kN)	Weight(kg)
	b	h	d1	d2	L		
L-1040	16	70	20	18	400	100	4.5
L-1240	16	70	24	18	400	120	4.7
L-1640	18	100	26	20	400	160	5.9

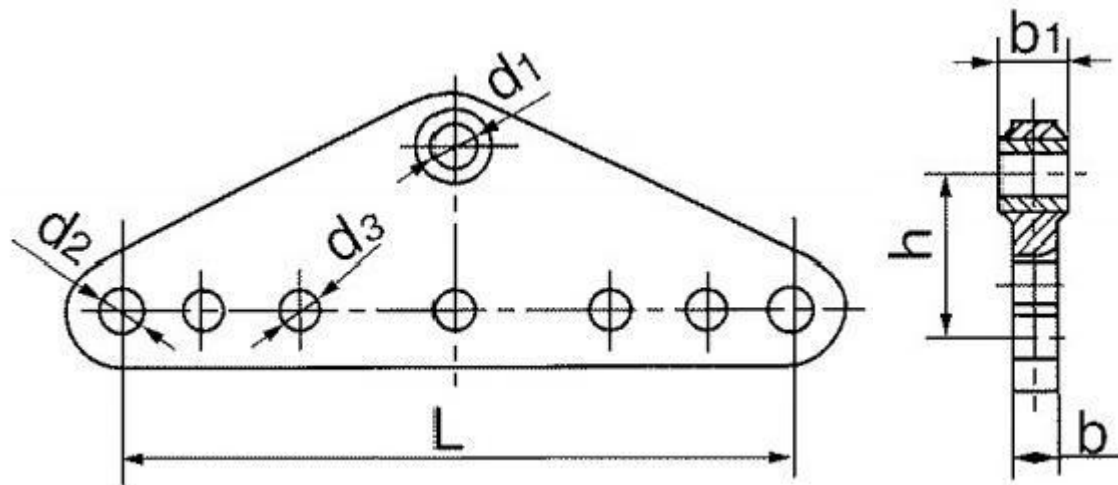


Catalog No.	Dimensions(mm)						Rated Failure Load(kN)	Weight(kg)
	b ₁	b	h	d ₁	d ₂	L		
L-2040	26	16	100	30	20	400	200	7
L-2540	30	16	110	33	24	400	250	9
L-3040	32	18	110	39	26	400	300	10
L-3055	32	18	200	39	26	550	300	10

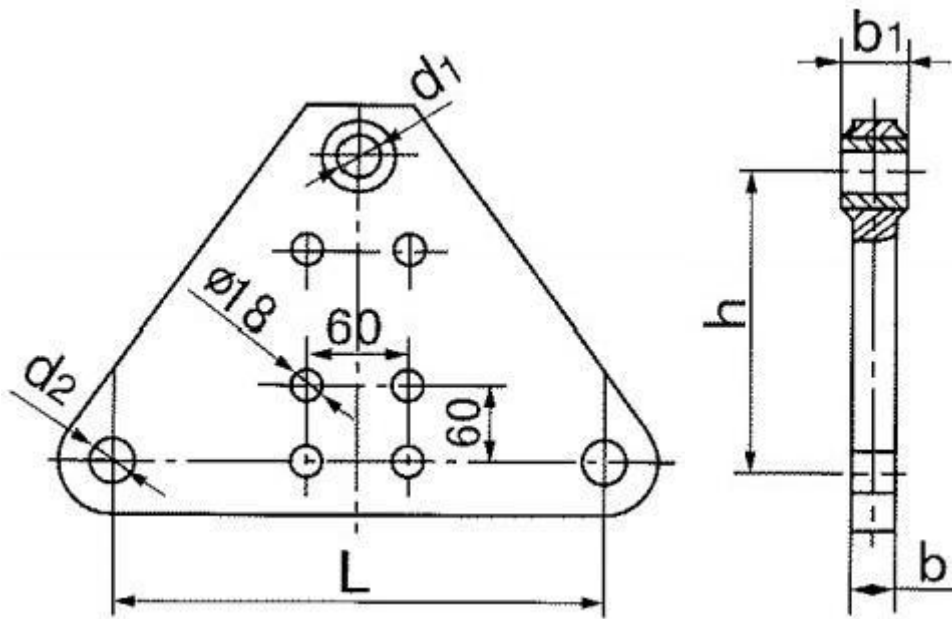
L-3075	32	18	250	39	26	750	300	17
L...5045	42	32	250	45	39	450	500	25
L-5060	38	32	250	45	39	600	500	26
1.-6045	42	32	200	51	39	450	600	28



Catalog No.	Dimensions(mm)							Rated Failure Load(kN)	Weight(kg)
	bi	b	h	di	d2	L1	L		
L-2060	26	18	120	30	24	200	600	200	11.8
L-3060	32	18	140	39	30	200	600	300	16.7



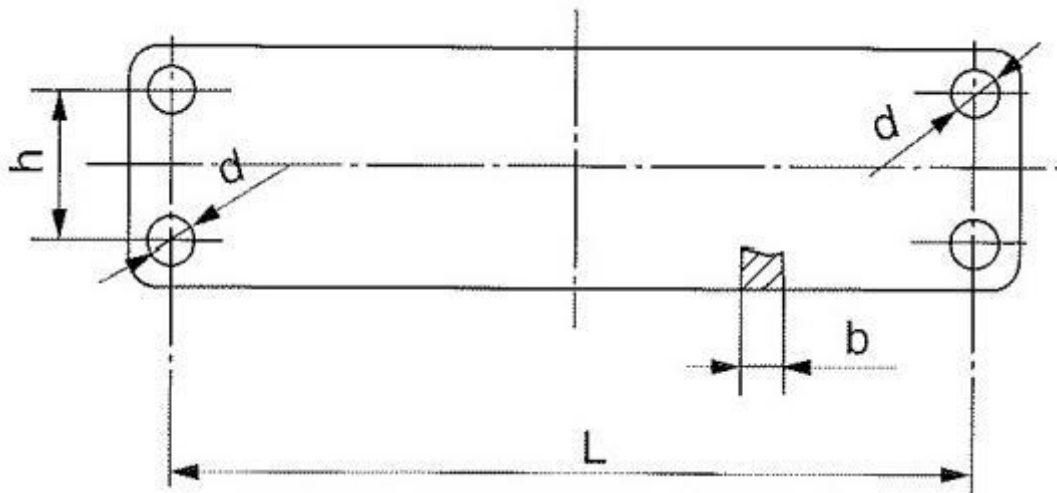
Catalog No.	Dimensions(mm)							Rated Failure Load(kN)	Weight(kg)
	bi	b	di	d2	d3	h	L		
L-1245	16	16	24	20	18	100	450	120	5
L-1645	18	18	26	20	18	110	450	160	7.9
L-2545	30	22	33	26	18	110	450	250	10
L-4045	38	26	45	30	18	250	450	400	25



Catalog No.	Dimensions(mm)						Rated Failure Load(kN)	Weight(kg)
	bi	b	h	d	d ₂	L		
L-2045	26	16	250	30	30	450	200	10.2
L,-3045	32	18	250	39	39	450	300	16

Yoke Plates (Type LF)

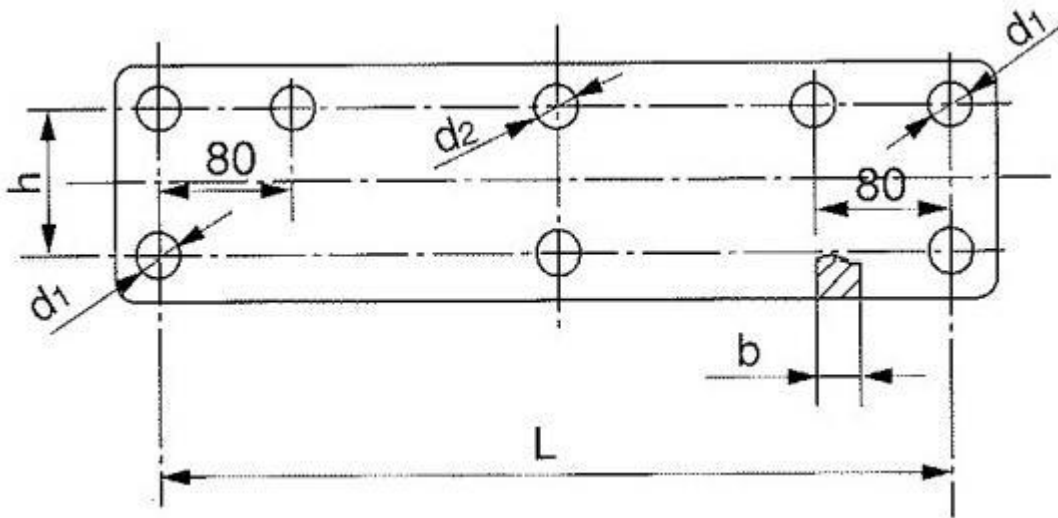
Hot-dip galvanized steel.



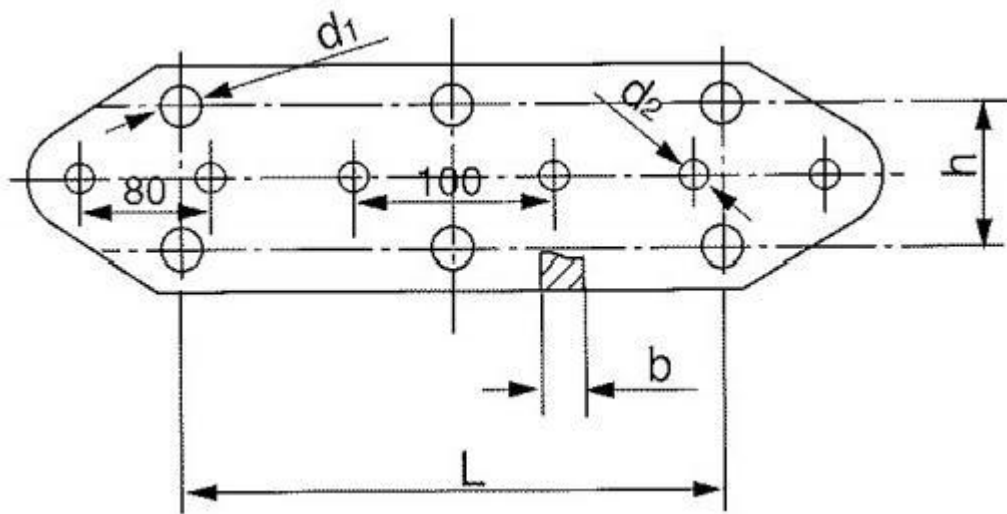
Catalog No.	Dimensions (mm)					Raled Failure load (kN)	Weight (Kg)
	b	h	d	L			
LF-2040	16	70	20	400	200	5.5	
LF-2540	16	110	24	400	250	9.2	
LF-3040	18	120	26	400	300	11.2	
LF-3045	18	100	26	450	300	12	
LF-3050	18	140	26	500	300	16.5	
LF-10055	38	130	45	550	1000	47	

Yoke plates (Type LJ)

Hot-dip galvanized steel.



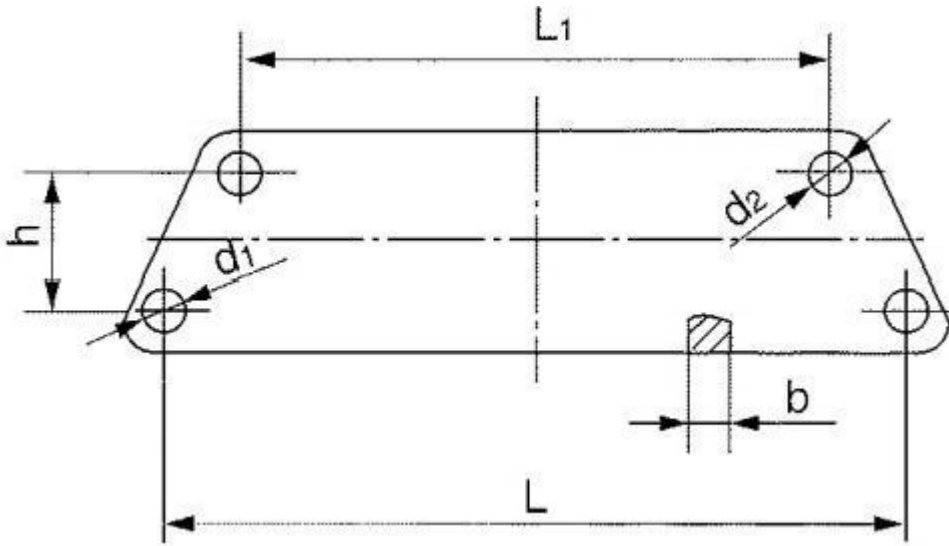
Catalog No.	Dimensions(mm)					Rated Failure Load (kN)	Weight (kg)
	b	h	di	d2	L		
LJ-1040	16	70	18	20	400	200	6.5
LJ-1240	16	70	18	24	400	120	6.5
LJ-1640	18	100	20	26	400	160	9.5



Catalog No.	Dimensions(mm)					Rated Failure Load (kN)	Weight (kg)
	b	h	di	d2	L		
LJ-2540	16	120	24	18	400	250	11.1
LJ-3040	18	120	26	18	4000	300	13.6

Yoke Plates (Type LS)

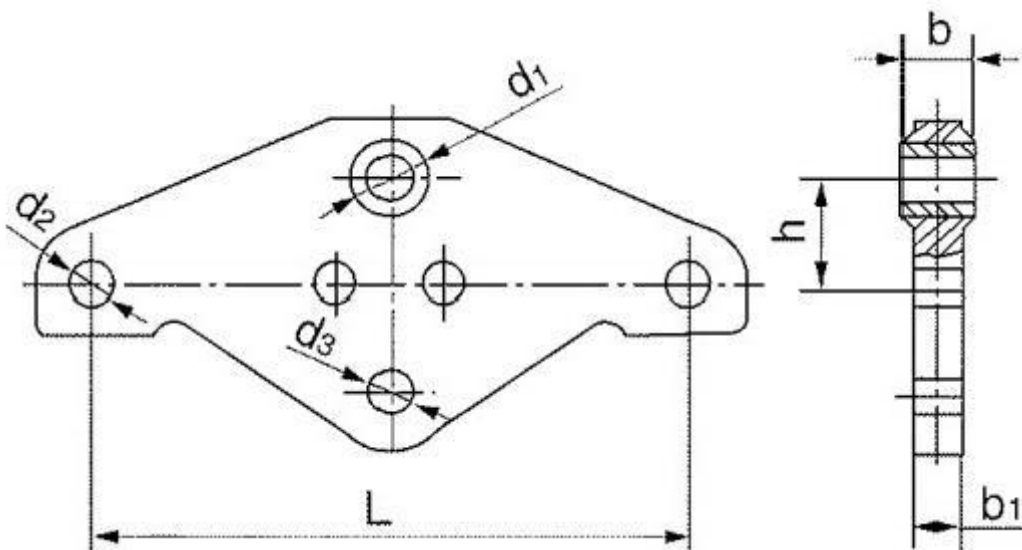
Hot-dip galvanized steel.



Catalog No.	Dimensions(mm)						Rated Failure Load(kN)	Weight(kg)
	b	h	d1	d2	L	L1		
LS-1212	16	65	18	20	400	120	5	
						120		
LS-1221						210	5.4	
LS-1225						250	5.5	
LS-1229						290	5.7	
LS-1233						330	5.9	
LS-1237						370	6.1	
LS-1255	550	8.7						
LS-16	18	100	26	26	400	200	160	11.3

Yoke Plates (type LL)

Hot-dip galvanized steel.

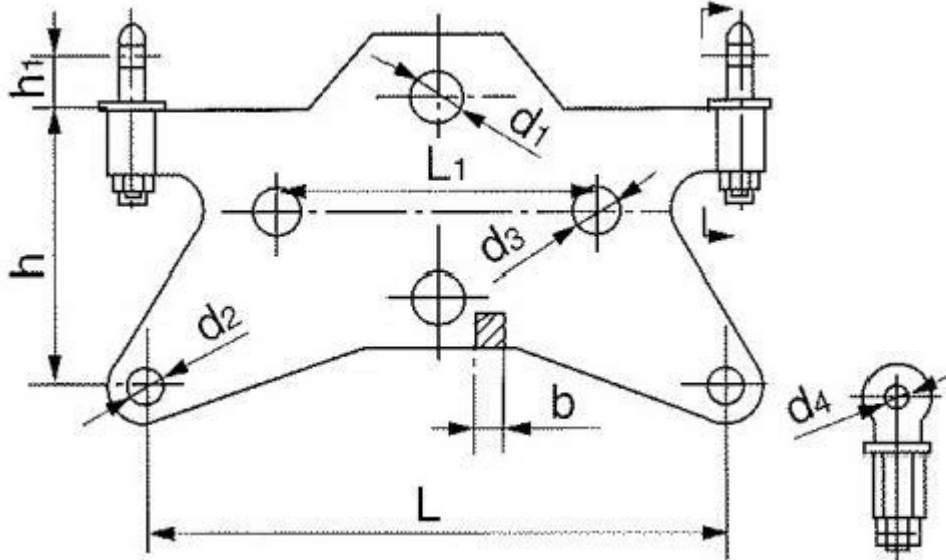


Catalog No.	Dimensions(mm)							Rated Failure Load(kN)	Weight (kg)
	b	b1	h	L	d1	d2	d3		

LL-1645	18	18	70	450	26	20	24	160	6.9
LL-2045	26	18	70	450	30	20	24	200	8.5
LL-2545	30	18	70	450	33	20	24	250	7

Yoke Plates (type LK)

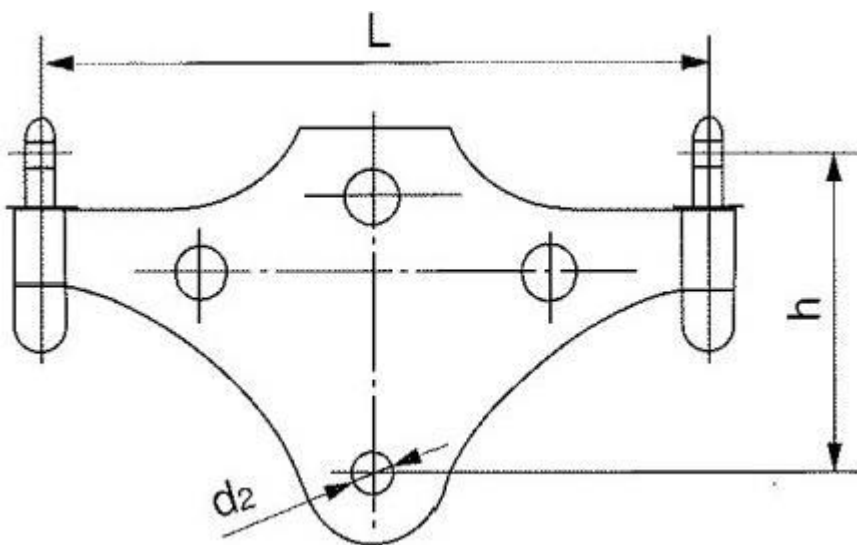
Hot-dip galvanized steel.



Catalog No.	Dimensions(mm)									Rated Failure Load(kN)	Weight(kg)
	b	h	h _i	L	L ₁	d ₁	d ₂	d ₃	d ₄		
LK-0745	18	225	40	450	240	18	18	26	18	70	15.5
LK-1045	16	230	40	450	240	20	18	26	18	100	16
LJK-1645	18	230	40	450	240	26	18	26	18	160	17

Yoke Plates (Type KL)

Hot-dip galvanized steel.

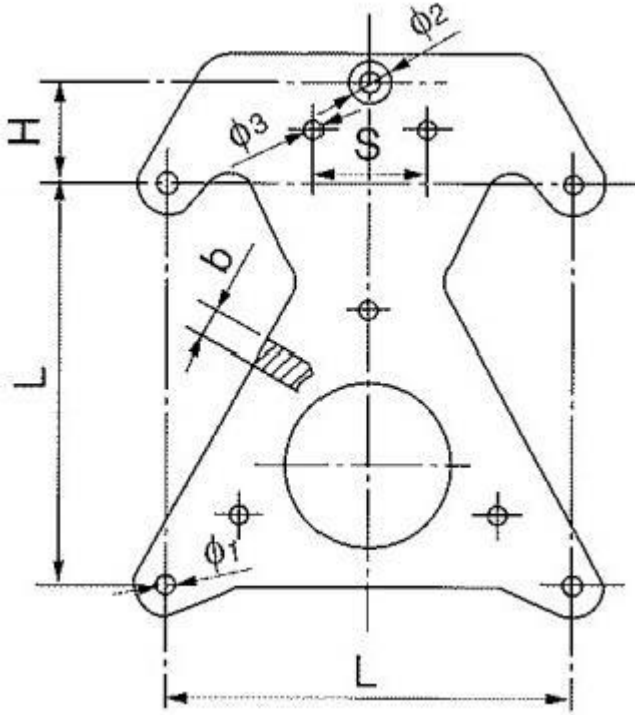


Catalog No.	Dimensions(mm)	Rated Failure Load(kN)	Weight(kg)

	d1	d2	h	L		
KL-1645	18	18	205	450	160	9.2
KL-1650	18	18	248	500	160	10.8
KL-1655	18	18	291	550	160	13.2

Yoke Plates(Type LX)

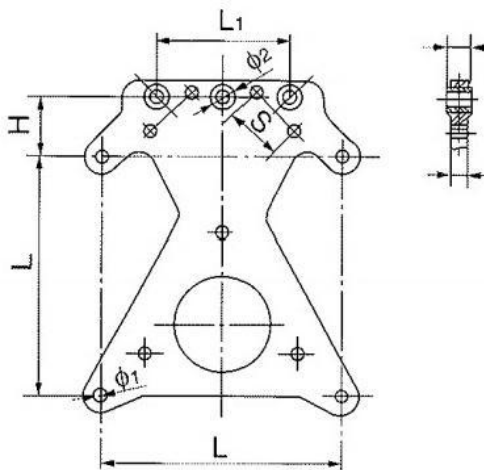
Hot-dip galvanized steel.



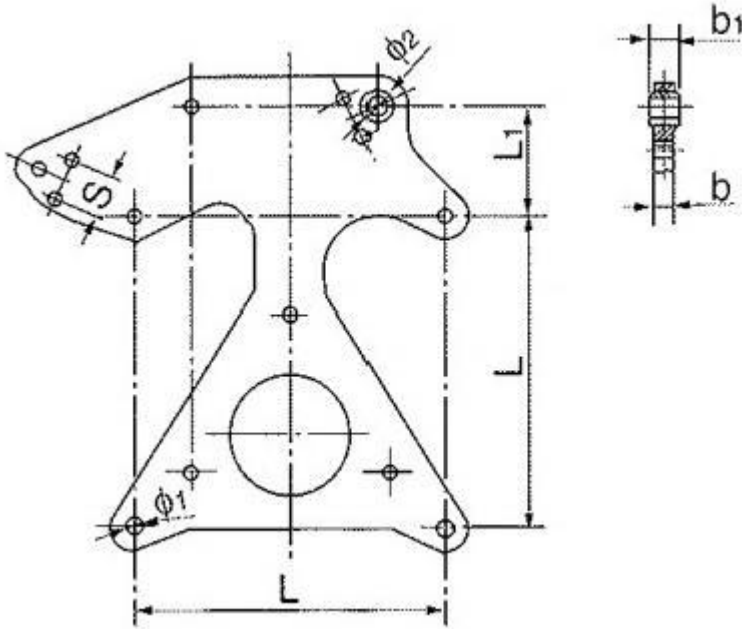
Catalog No.	Dimensions(mm)							Raled Failure Load(kN)	Weight(kg)
	L	H	φ1	φ2	φ3	b	S		
LX-1645	450	95	20	26	14	18	80	160	26
LX-1645A	450	95	20	26	14	18	60	160	26
x-2045A	450	95	20	33	18	18	80	250	29

Yoke Plates(Type LXV)

Hot-dip galvanized steel.



Catalog No.	Dimensions(mm)							Rated Failure Load(kN)	Weight(kg)
	L	L.1	b	bi	S	$\phi 1$	$\phi 2$		
LXV-1645	450	110	18	18	80	20	26	160	19.5
LXV-2545	450	110	18	30	60	20	33	250	20



Catalog No.	Dimensions(mm)							Rated Failure Load(kN)	Weight(kg)
	L	L1	b	bi	S	$\phi 1$	$\phi 2$		
LXV-1645Z	450	196	18	18	80	20	26	160	26.6
LXV-2545Z	450	196	18	30	60	20	33	250	20

Horizon-Adjusting Plates (Type SP)

Hot-dip galvanized steel.

